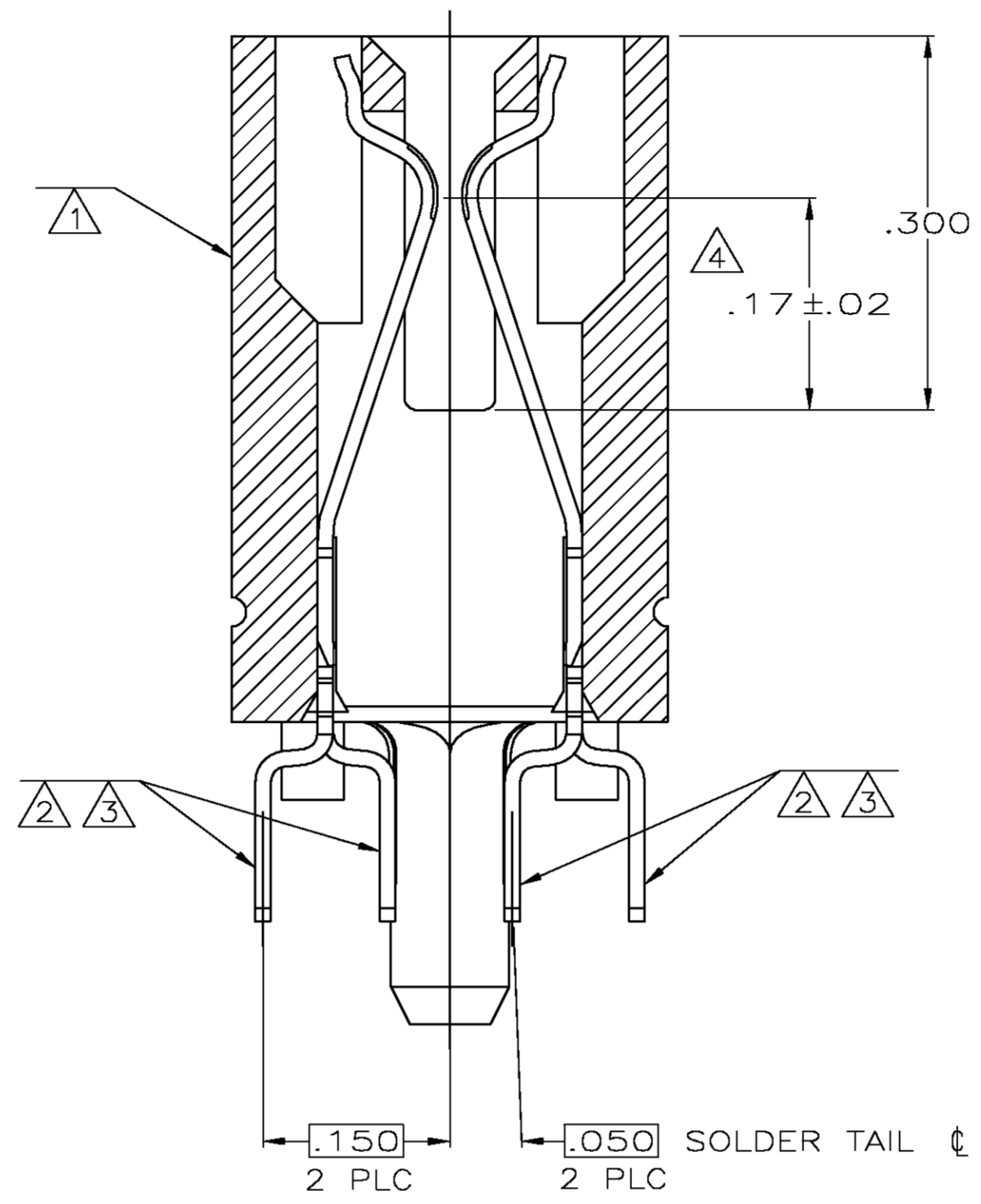


SEE SHEET 2 FOR HOLE PATTERNS



SECTION L-L
SCALE 8:1

- 1 HOUSING: HIGH TEMPERATURE THERMOPLASTIC. COLOR: BROWN.
- 2 CONTACT: PHOSPHOR BRONZE.
- 3 CONTACT FINISH: .000100 MIN NICKEL ALL OVER, .000030 MIN GOLD OVER NICKEL IN CONTACT AREA, .000100 MIN TIN-LEAD OVER NICKEL ON SOLDER TAILS.
- 4 DISTANCE FROM CONTACT POINT TO BOTTOM OF CARD SLOT.
- 5 AMP PART NUMBER, DATE CODE AND CSA LOGO MARKED IN APPROXIMATE AREA SHOWN.
- 6 PIN ONE IDENTIFIER NOTCH ONLY ON PART NUMBERS INDICATED.

OBSOLETE	.125	NO	B	1.800	1.760	2.59	.610	10	33	45	1-650090-4
	.140	NO	B	1.800	1.760	2.59	.610	10	33	45	1-650090-3
OBSOLETE	.140	NO	A	1.050	1.010	1.84	.610	10	18	30	1-650090-2
	.140	NO	C	2.200	2.160	4.34	1.960	37	41	80	1-650090-1
OBSOLETE	.100	NO	B	2.100	2.060	4.59	2.310	44	39	85	1-650090-0
	.100	NO	C	2.200	2.160	4.34	1.960	37	41	80	650090-9
OBSOLETE	.125	YES	A	2.350	2.310	3.14	.610	10	44	56	650090-8
	.100	NO	B	.700	.660	1.49	.610	10	11	23	650090-7
OBSOLETE	.100	NO	A	1.050	1.010	1.84	.610	10	18	30	650090-6
	.100	NO	A	2.550	2.510	3.34	.610	10	48	60	650090-5
OBSOLETE	.100	NO	A	.550	.510	1.34	.610	10	8	20	650090-4
	.100	NO	A	1.550	1.510	2.34	.610	10	28	40	650090-3
OBSOLETE	.100	NO	B	1.800	1.760	2.59	.610	10	33	45	650090-2
	.100	YES	A	2.350	2.310	3.14	.610	10	44	56	650090-1
W	PIN ONE IDENTIFIER	HOLE PATTERN	V	U	T	S	Y	X	NO OF DUAL POSN		PART NUMBER

THIS DRAWING IS A CONTROLLED DOCUMENT. DWN: K.L.CLOUSER/UTA 3/20/91
 CHK: M. BOWERS 7-22-91

TOLERANCES UNLESS OTHERWISE SPECIFIED:
 DIMENSIONS INCHES: 0 PLC ± .005, 1 PLC ± .01, 2 PLC ± .01, 3 PLC ± .005, 4 PLC ± .005, ANGLES ± .5°

MATERIAL: HOUSING 1, CONTACT 2
 FINISH: CONTACT 3

PRODUCT SPEC: 108-14034
 APPLICATION SPEC: 114-26012

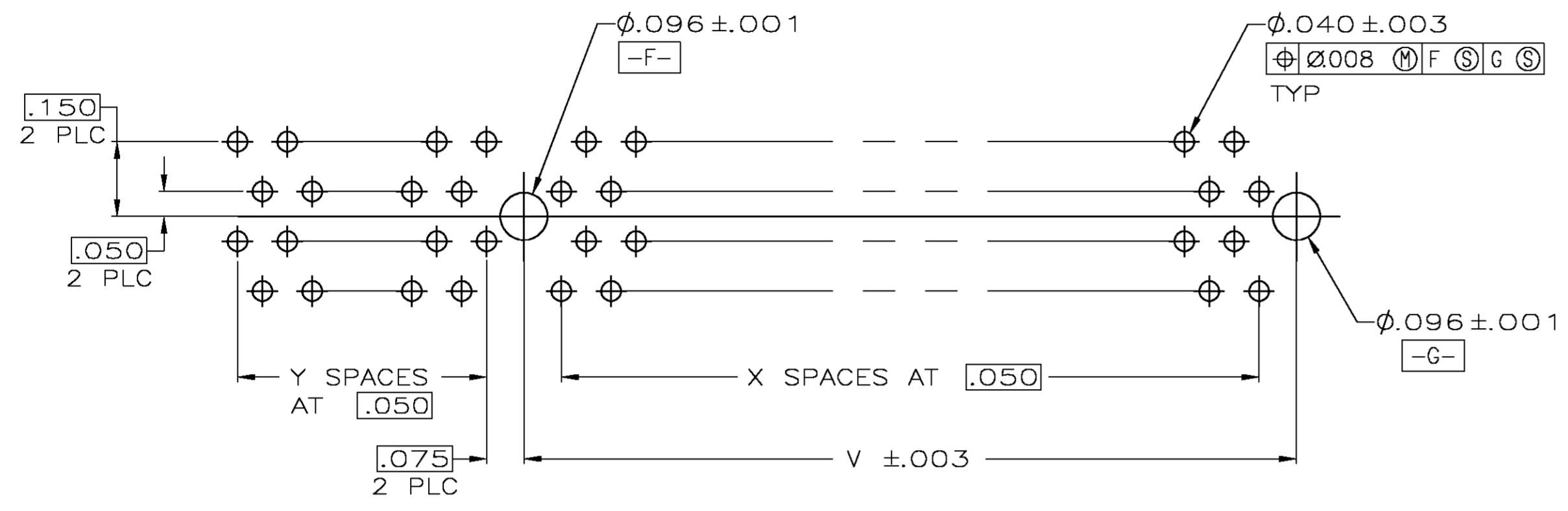
SIZE: A1, CAGE CODE: 00779, DRAWING NO: 650090
 WEIGHT: -

RESTRICTED TO: CUSTOMER DRAWING
 SCALE: 4:1, SHEET: 1 OF 2, REV: AA

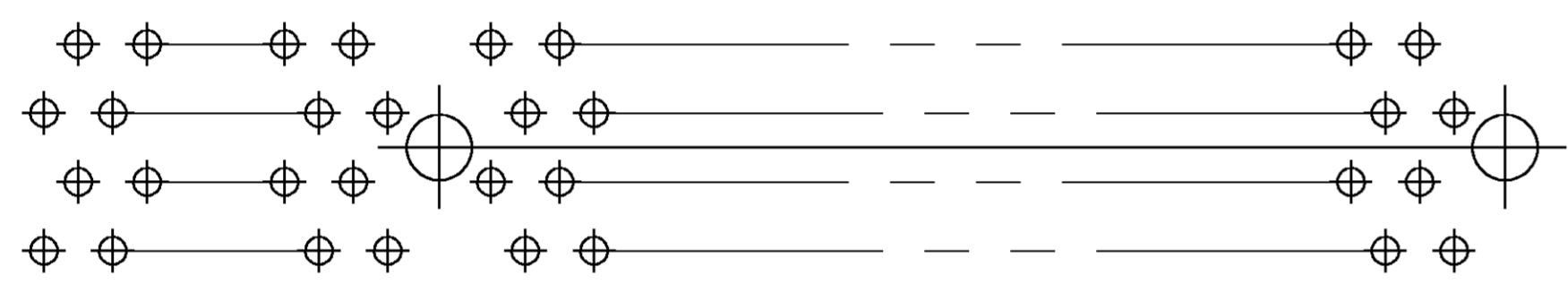
Tyco Electronics Corporation
 Harrisburg, Pa 17105-3608

CONNECTOR ASSEMBLY, DUAL POSITION, .050 SERIES.

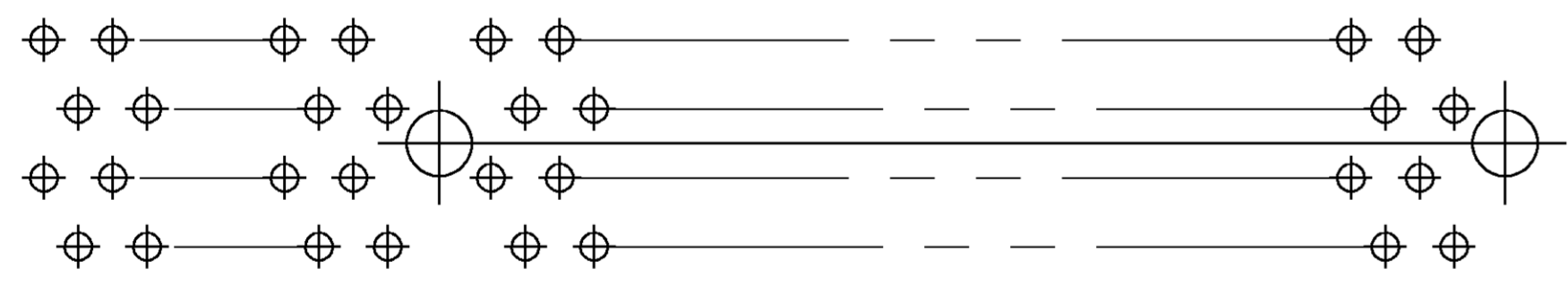
LOC		DIST		REVISIONS			
P	LR	DESCRIPTION	DATE	DN	APPD		
AD	14	AA	SEE SHEET 1	-	-	-	-



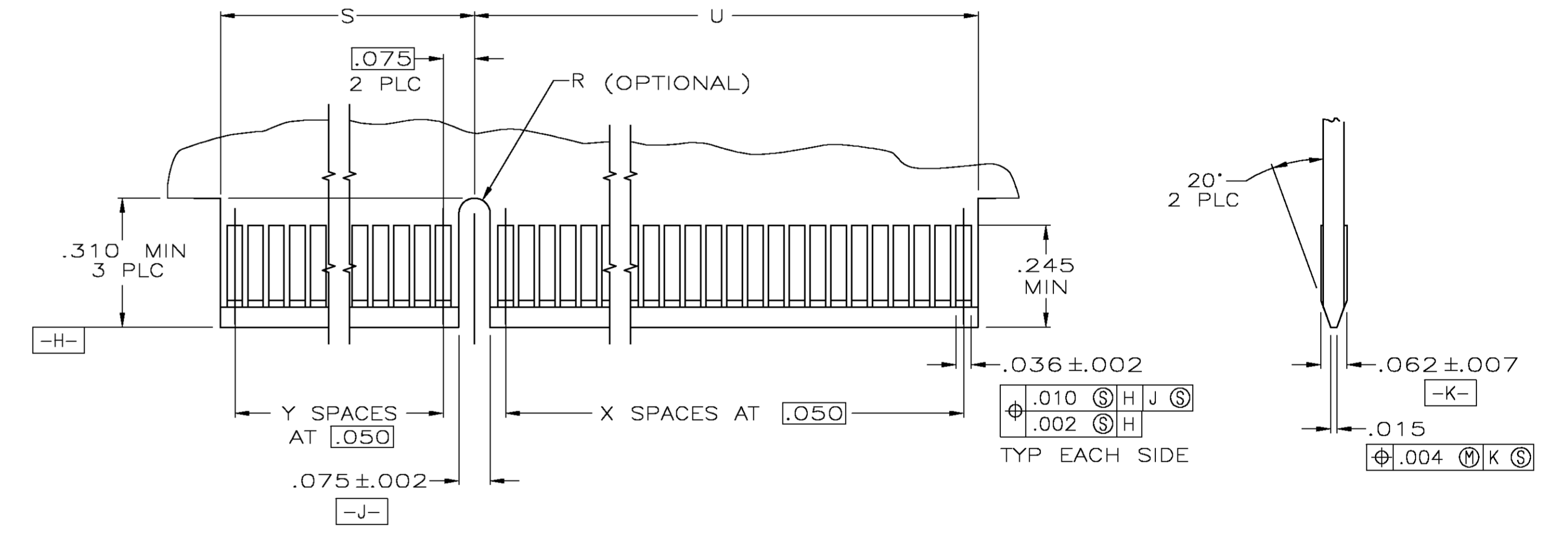
RECOMMENDED CONNECTOR MOUNTING HOLE PATTERN A
(CONNECTOR SIDE SHOWN)



RECOMMENDED CONNECTOR MOUNTING HOLE PATTERN B
(CONNECTOR SIDE SHOWN)



RECOMMENDED CONNECTOR MOUNTING HOLE PATTERN C



RECOMMENDED MATING BOARD EDGE CONFIGURATION
(CONNECTOR SIDE SHOWN)

THIS DRAWING IS A CONTROLLED DOCUMENT.		DIN K.L.CLOUSER/UTA 3/20/91		Tyco Electronics Corporation	
DIMENSIONS: INCHES		TOLERANCES UNLESS OTHERWISE SPECIFIED:		Tyco Electronics Corporation	
0 PLC ± -		1 PLC ± -		Harrisburg, Pa 17105-3608	
1 PLC ± -		2 PLC ± .01		NAME	
2 PLC ± .01		3 PLC ± .005		CONNECTOR ASSEMBLY	
3 PLC ± .005		4 PLC ± - Z		DUAL POSITION	
ANGLES ± - Z		FINISH SEE SHEET 1		.050 SERIES	
MATERIAL SEE SHEET 1		WEIGHT -		SIZE CAGE CODE DRAWING NO	
SEE SHEET 1		SEE SHEET 1		A1 00779 C=650090	
		CUSTOMER DRAWING		RESTRICTED TO	
		SCALE 4:1		SHEET 2 OF 2	
				REV AA	